

## DUAL DISC CHECK VALVE

**PN 16 3"-10" (80-250 mm)**  
 Ductile cast iron  
 Fully vulcanized

**LONG LIFE VALVES**

**FULLY VULCANIZED**



### Products

310	Disc	Nominal size							
		mm	50	80	100	150	200	250	300
		inches	2"	3"	4"	6"	8"	10"	12"
Type 001	S.S. 316 (CF8M)			*	*	*	*	*	
Type 002	Noryl			*	*	*			
Type 003	D.I. - GGG50 + Nylon11 (rilsan)			*	*	*	*	*	

**Flange connection: DIN, BS, ANSI**

Order example: 310 type 003 DN 250 BS

\* On development

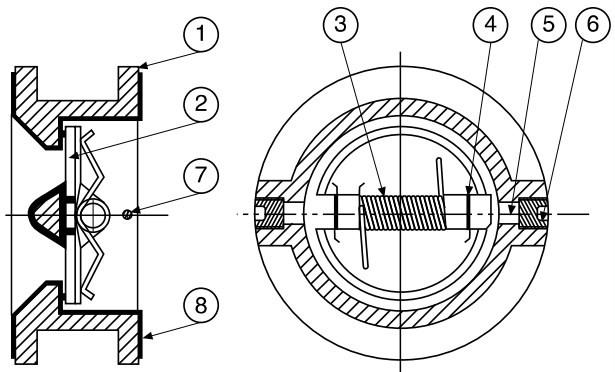
### Description

#### Application

One way acting.  
 Operate horizontally and vertically.  
 Best performance when the fluid is filtered.  
 Suitable for aggressive fluids.  
 Working temperature  
 up to - NBR+Noryl: 70°C. EPDM+S.S/D.I Nylon 11  
 Coating Disc: 120°C.

#### Advantages

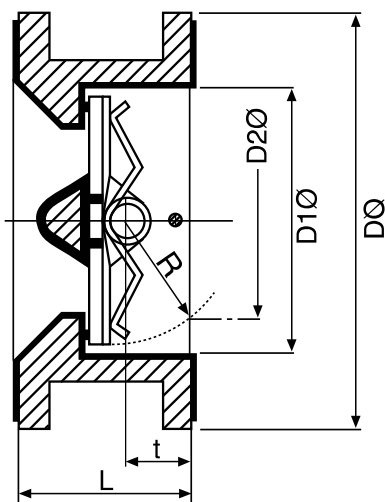
- Body made of ductile cast iron for heavy duty performance against surge water hammers
- Extending liner on the body eliminates the need of separate gaskets for installation
- Activated against very low pressure (0.1 atm.)
- The fully vulcanized body withstands flow of corrosive fluids
- Easy assembling



Material Specification		
1	Body	Ductile iron GGG50
2	Disc	3"-6" Polypropylene glass reinforced (Noryl) 3"-10" Ductile iron Nylon 11 (Rilsan) coated 3"-10" SS,316
3	Spring	Stainless steel
4	Washer	Polyethylene
5	Shaft	Stainless steel
6	Locking screw	Steel
7	Limit shaft	Stainless steel
8	Body seat	NBR/EPDM (Vulcanized)

Applications for:	Drinking water	Air cooling system	Hot water	Steam	Water treatment	Sewage water	Sea water	Desalination plants	Chemical industry	Food industry	Pulp/Paper industry	Dry air	Gas	Vacuum
	✓	✓	✓		✓	✓	✓	✓	✓	✓		✓		

**Dimensions (mm)**



**310 Dimensions Table**

	Dimension	DN							
		mm	50	80	100	150	200	250	300
		inches	2"	3"	4"	6"	8"	10"	12"
General	L		70	80	98	100	114		
	DØ		127/145	162	217	273	330		
	D1Ø		104	127	182	230	281		
	D2Ø		70	92	146	204	148		
	R		48	57	86	112	135		
	t		33	24	45	46	54		
	[Kg]		4	5	10	17	27		

Dimensions and weight can be changed without notification.

HA KOH AV